

ITEM NO.	DESCRIPTION	QTY.
1	TOP COVER	1
2	4" VENT	1
3	6" INSPECTION COVERS	3
4	BLOWER PN DK 110.5	1
5	BLOWER FILTER HOUSING	1
6	BLOWER FILTER	1
7	CONTROL PANEL	1
8	IDENTIFICATION PLATE	1
9	CHLORINATOR COVER	1
10	FLOAT SWITCH PN 599117	1
11	CHLORINATOR ASSEMBLY	1
12	CHLORINATOR DISPENSER	1
13	PUMP PN 388F-97	1
14	CHECK VALVE	1

SHS TECH, LLC A SEA HORSE SYSTEMS COMPANY
 120 ROW 1 LAFAYETTE, LA 70508
 PHONE 337-984-6130 FAX 337-456-3099
 MOBILE 337-501-8595

UNLESS OTHERWISE SPECIFIED:

DIMENSIONS ARE IN INCHES
 TOLERANCES:
 FRACTIONAL ±1/16
 ANGULAR MACH ±1/2°
 X.X ±.03
 X.XX ±.02
 X.XXX ±.01

MATERIAL N/A
 FINISH N/A
 DO NOT SCALE DRAWING

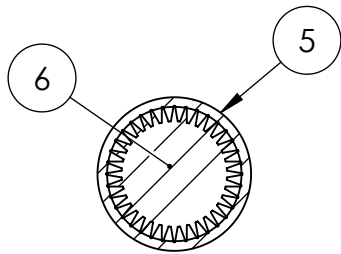
APPROVALS	NAME	DATE
DRAWN	CTC	2/12/18
CHECKED	CE	2/14/18
APPROVED	CE	2/14/18

COMMENTS:

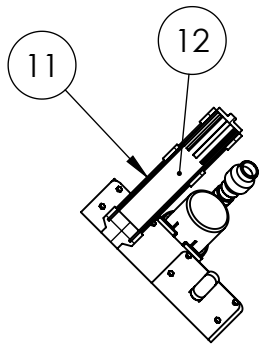


TITLE MARINER SERIES		
SIZE B	DWG NO. SHTS-M001	REV 0
SCALE 1:12	WEIGHT	SHEET 1

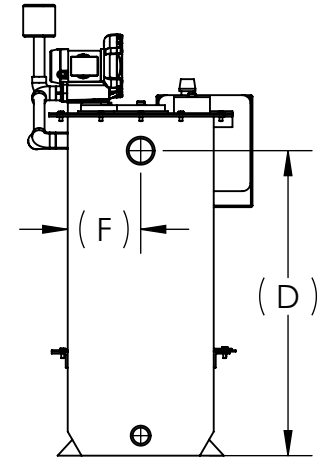
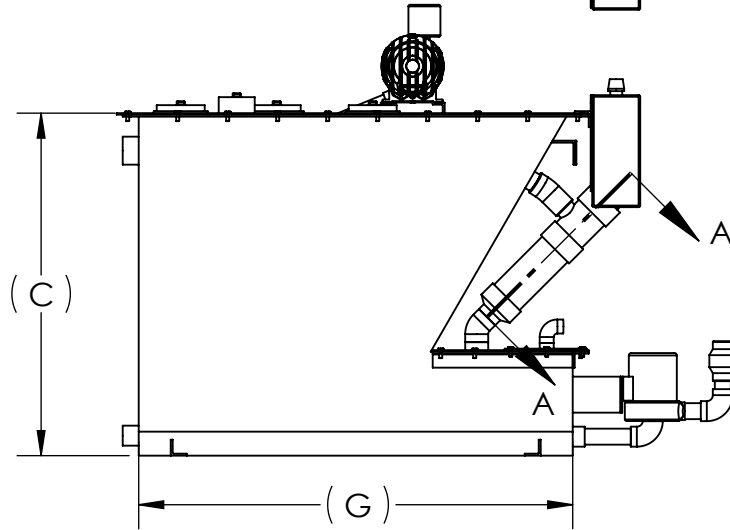
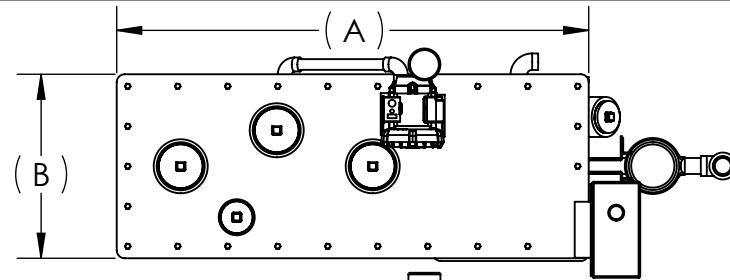
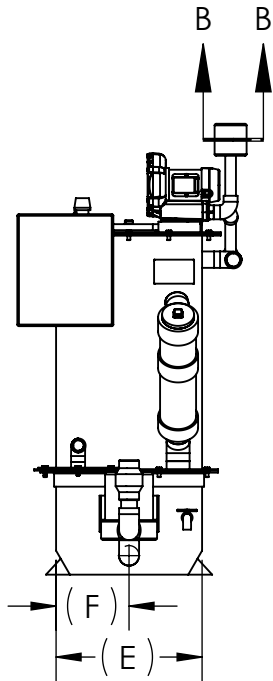
PROPRIETARY AND CONFIDENTIAL
 THE INFORMATION CONTAINED IN THE DRAWING IS THE SOLE PROPERTY OF SHS TECH. ANY REPRODUCTION IN PART OR AS A WHOLE WITHOUT THE WRITTEN PERMISSION OF SHS TECH IS PROHIBITED



SECTION B-B
SCALE 1 : 5



SECTION A-A



MODEL	A	B	C	D	E	F	G
M40	3'- 6 1/8"	1'- 6"	3'- 6 3/8"	3'- 2 3/8"	1'- 1 3/8"	6 11/16"	3'- 0 3/8"
M40S	3'- 5 3/16"	1'- 11"	2'- 6 3/8"	2'- 2 3/8"	1'- 5 3/8"	6 11/16"	3'- 0 3/8"
M70	4'- 10 1/4"	1'- 10 15/16"	3'- 6 1/8"	3'- 2 1/8"	1'- 6 1/4"	9 1/8"	4'- 6 1/4"
M70S	4'- 10 5/16"	2'- 3 15/16"	2'- 6 3/16"	2'- 2 3/16"	2'- 0 3/8"	1'- 0 3/16"	4'- 6 3/8"
M140	5'- 4 3/4"	2'- 5"	3'- 5 15/16"	3'- 1 15/16"	2'- 0 3/8"	1'- 0 3/16"	5'- 0 1/8"
M250	6'- 10 7/8"	2'- 5 3/8"	6'- 0 3/8"	5'- 8 3/16"	2'- 0 3/8"	1'- 0 3/16"	6'- 6 3/8"

SHS TECH, LLC A SEA HORSE SYSTEMS COMPANY
120 ROW 1 LAFAYETTE, LA 70508

PHONE 337-984-6130 FAX 337-456-3099
MOBILE 337-501-8595

PROPRIETARY AND CONFIDENTIAL

THE INFORMATION CONTAINED IN THE DRAWING IS THE SOLE PROPERTY OF SHS TECH. ANY REPRODUCTION IN PART OR AS A WHOLE WITHOUT THE WRITTEN PERMISSION OF SHS TECH IS PROHIBITED

UNLESS OTHERWISE SPECIFIED:

DIMENSIONS ARE IN INCHES
TOLERANCES:
FRACTIONAL ±1/16
ANGULAR MACH ±1/2°
X.X ±.03
X.XX ±.02
X.XXX ±.01

MATERIAL N/A

FINISH N/A

DO NOT SCALE DRAWING

APPROVALS

NAME

DATE

DRAWN

CTC

2/12/18

CHECKED

CE

2/14/18

APPROVED

CE

2/14/18

COMMENTS:



TITLE

MARINER SERIES

SIZE

B

DWG NO.

SHTS-M001

REV

0

SCALE 1:24

WEIGHT

SHEET 2